

Models DP 1211, DP 1311

RESISTANCE STANDARDS & INSTRUMENTS

- Kelvin-Varley voltage divider
- Panel-mounting area from 27.1 to 45.2 cm²
- Precision resistors throughout
- Solid silver-alloy switch contacts

Dekapot Coaxial-Dial Decade Potentiometer

These Dekapot potentiometers are precision decade resistive voltage dividers featuring the accuracy, high resolution and constant input impedance of the Kelvin-Varley circuit. They provide known voltage and current ratios for meter calibration, linearity checking, ratio measuring, synchro testing, computer standardization and many other DC and audio frequency applications.

The stacked dial configuration conserves space without sacrificing operating ease. Each unit occupies less than 45.2 square centimeters of panel space. Convenient in-line reading is

provided by the TEGAM Dekadial coaxial dial.

The DP 1211 offers two decades plus a 100 division potentiometer. The DP 1311 offers three decades plus a 100 division potentiometer.

Exceptional stability and reliability are assured by the use of precision resistive elements. The ceramic switch decks are silicone-treated to improve insulation resistance, and the multiple switch contacts are of solid silver-alloy for long life and low contact resistance. All components are shock-mounted within the sturdy dust cover.



TEGAM

THE GLOBAL SOURCE FOR PROVEN TEST
AND MEASUREMENT TECHNOLOGY.

Models DP 1211, DP 1311

DEKAPOT DECADE POTENTIOMETERS

Specifications

DP 1211 Dekapot Decade Potentiometer

Terminal Linearity*	Initial: ± 15 ppm + 0.5 dial division Long-term: ± 20 ppm + 0.5 dial division
*Mid-scale rating. Improves near end-scale settings.	
Coefficients of Linearity	Temperature: ± 2 ppm/ $^{\circ}$ C Power: ± 30 ppm/W for 1k Ω , ± 10 ppm/W for 10k Ω
Calibration Conditions	23 $^{\circ}$ C, low input power
Number of Decades	Two, plus 100-division potentiometer
Resolution	0.003%
Input Resistance	1, 10k Ω (accuracy $\pm 0.01\%$)
Maximum Input Power	5W continuous, 10W intermittent
Breakdown Voltage	1000V peak
Dimensions	Diameter: 3 in. (7.6cm) Depth: 7.2 in. (18.3cm) Depth (behind panel): 5.9 in. (15cm)
Weight	1.7 lbs (772gm) net

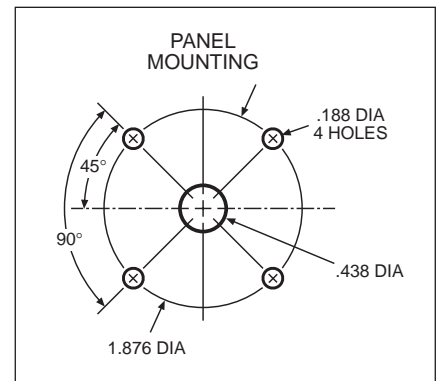
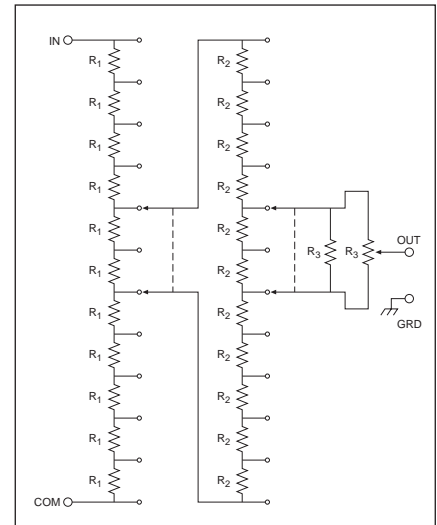
DP 1311 Dekapot Decade Potentiometer

Specifications for the DP 1311 are the same as for the DP 1211 except for the following:

Number of Decades	Three, plus 100-division potentiometer
Dimensions	Diameter: 3 in. (7.6cm) Depth: 8.5 in. (24cm) Depth (behind panel): 6.9 in. (17.6cm)
Weight	2.1 lbs (1kg) net

Standard Equipment

Models DP 1211 and DP 1311 come with an 8895 Instruction Sheet.



THE GLOBAL SOURCE FOR PROVEN TEST
AND MEASUREMENT TECHNOLOGY.

TEN TEGAM WAY • GENEVA, OHIO 44041
440-466-6100 • FAX 440-466-6110
www.tegam.com • e-mail: sales@tegam.com